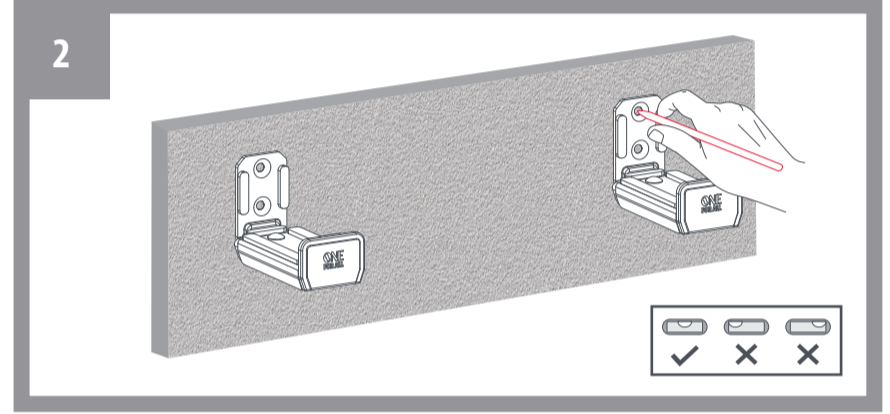
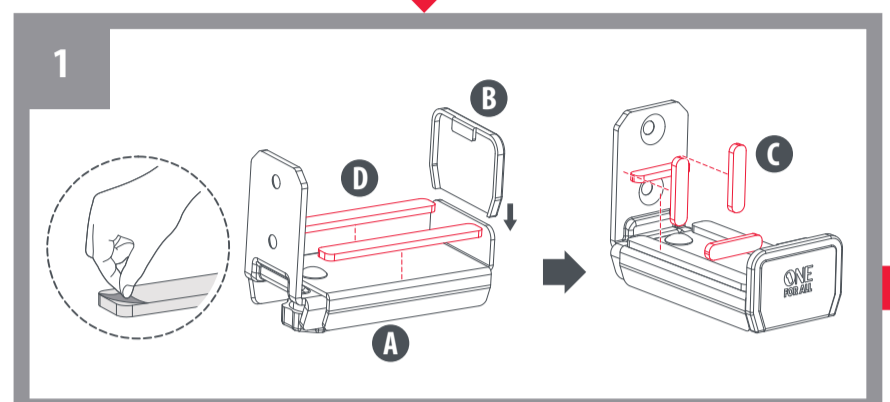


- Package W**
- W-A 4 x ST4.8x38mm
 - W-B 4 x Ø7x35mm



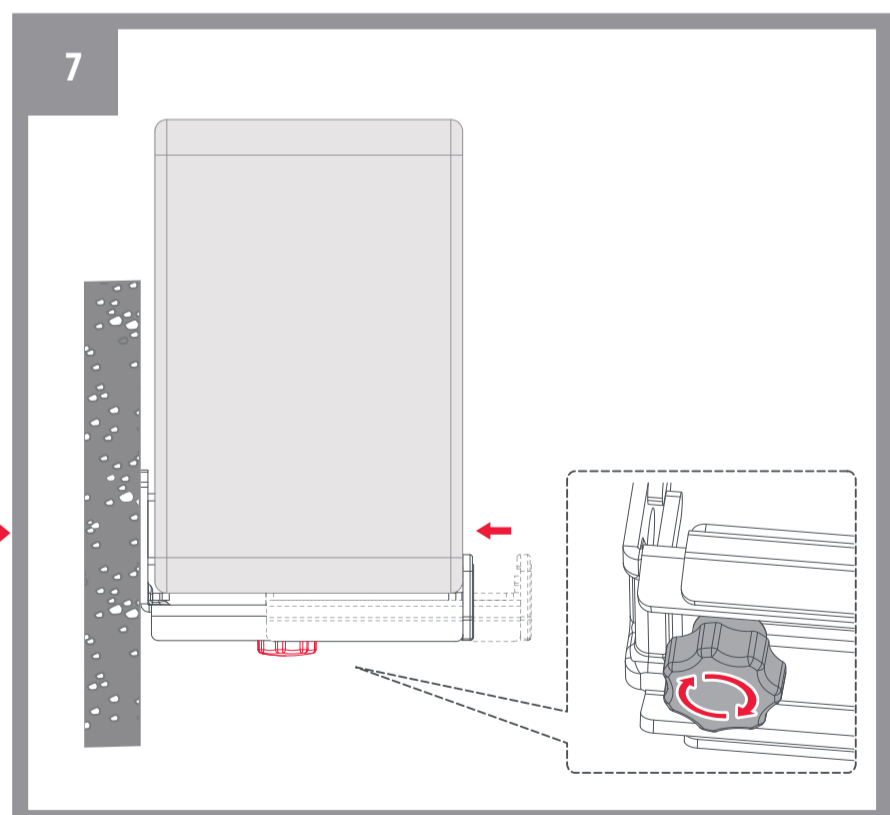
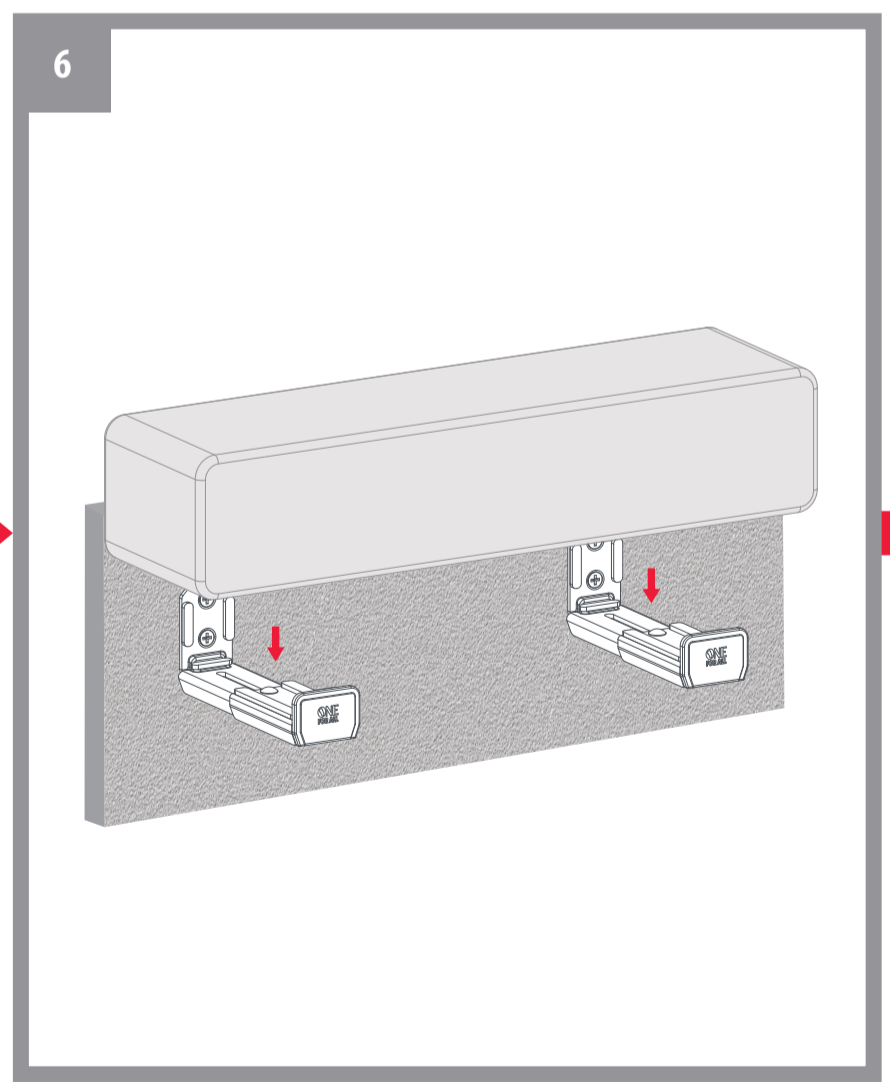
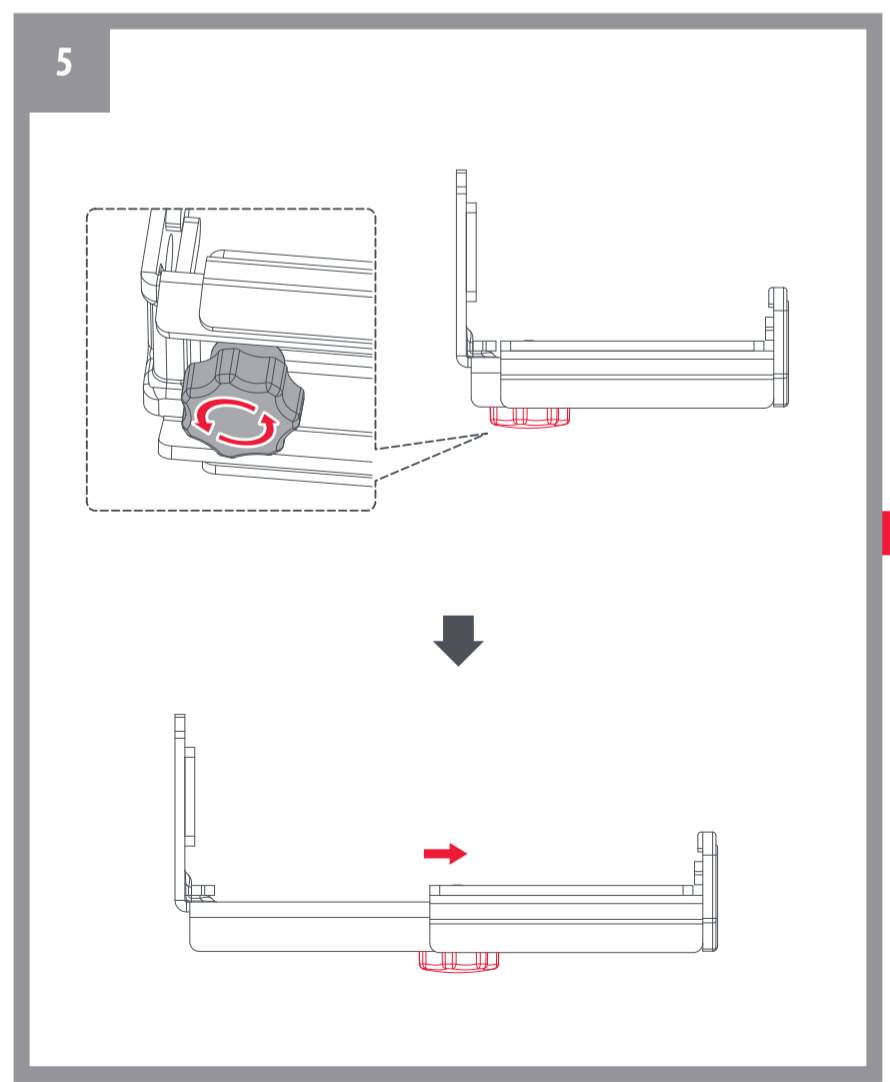
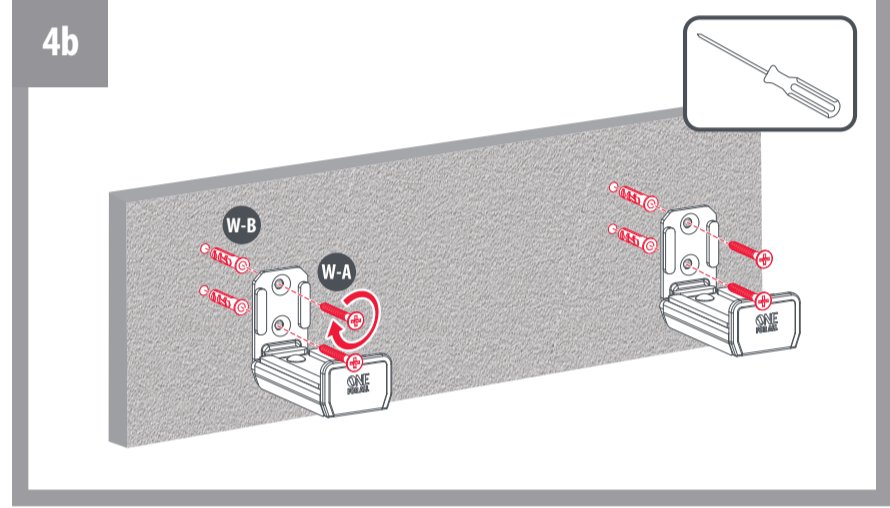
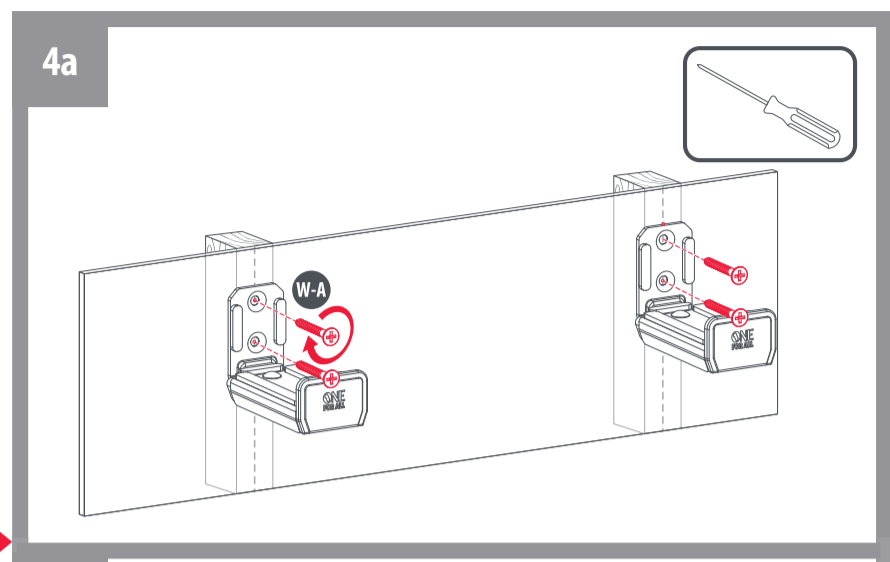
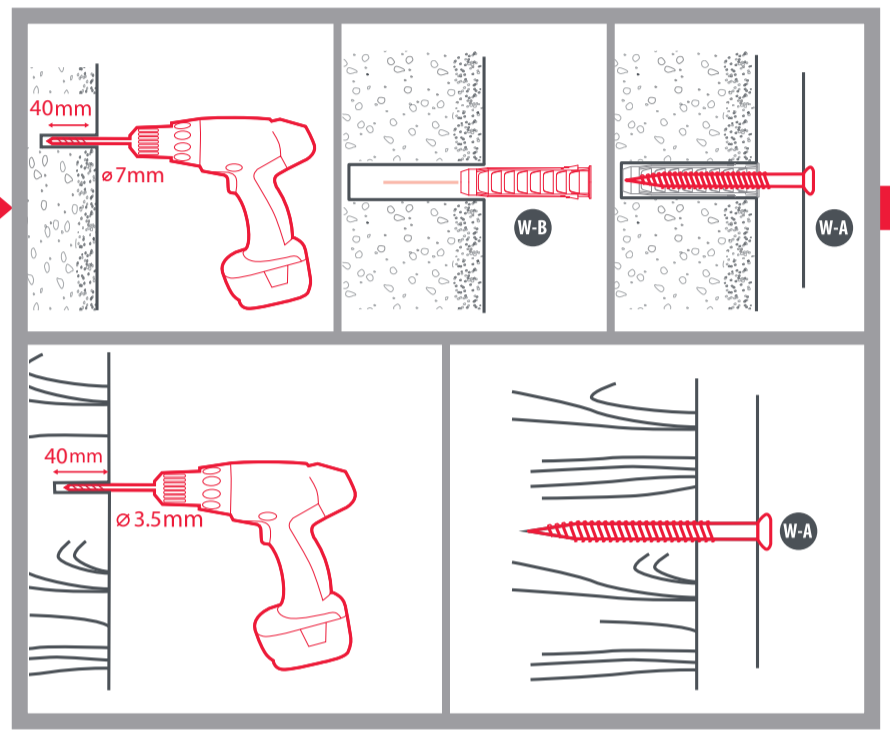
WME310
713440
UNIVERSAL Electronics B.V. - Europe & International
PO Box 3332 - 7500 DH Enschede
The Netherlands
RDN-11 50623

START



3 **WARNING**

Please verify that the supporting surface will safely support the combined weight of the equipment and all attached hardware and components



FINISH